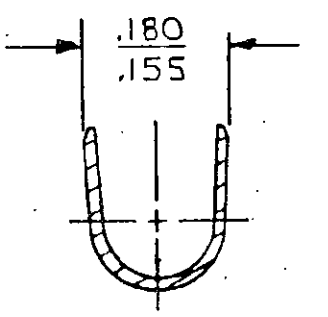
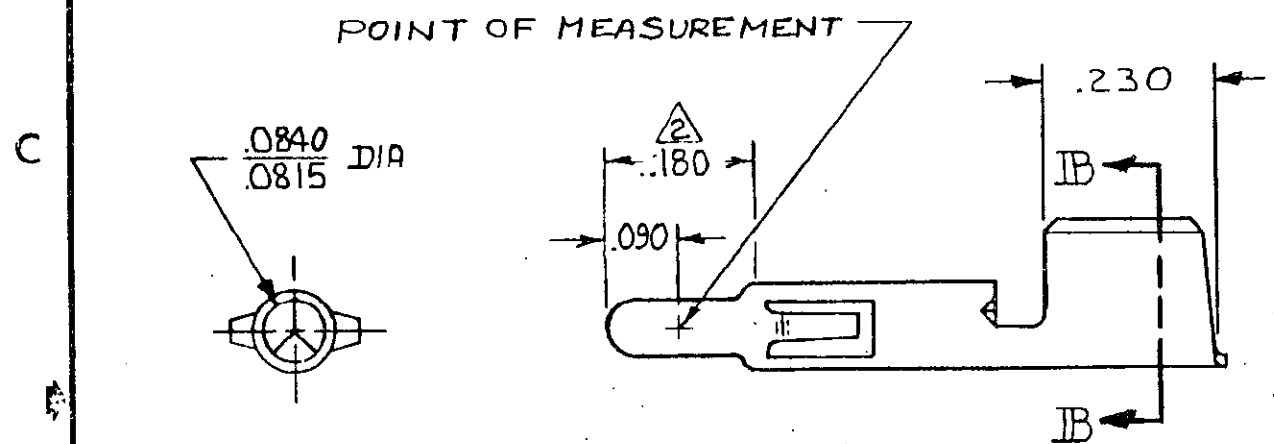
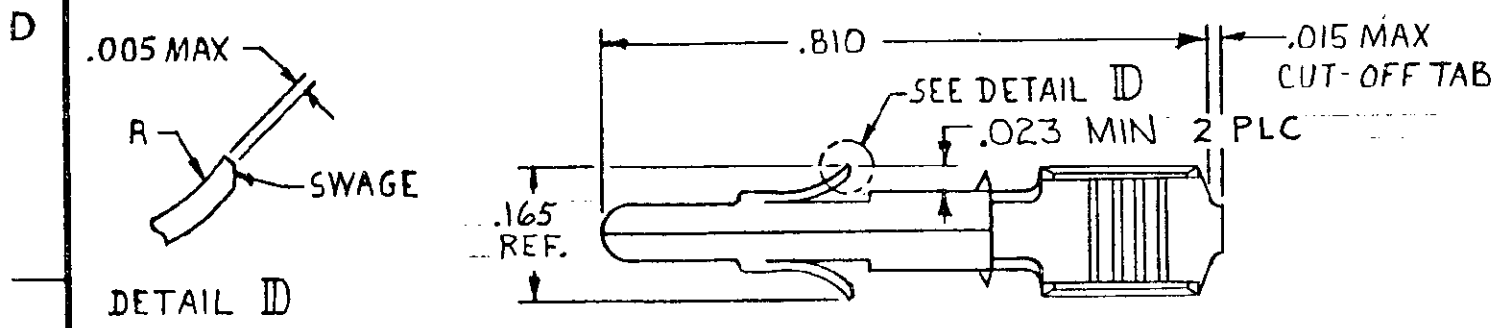


© COPYRIGHT 1977 BY AMP INCORPORATED, HARRISBURG, PA.
 ALL INTERNATIONAL RIGHTS RESERVED. AMP INCORPORATED PRODUCTS
 COVERED BY U. S. AND FOREIGN PATENTS AND/OR PATENTS PENDING.

REVISIONS						
P	F	ZONE	LTR	DESCRIPTION	DATE	APPROVED
✓			B	REDRAWN & UPDATED M-6457	6-5-81	MSF/D.H.
✓	✓		C	ADDED - 6 PER M-6627	10-2-81	MSF/D.H.
✓			D	REVISED M-7350	7/25/83	DAS/D.H.
✓			E	REVISED AG 57	1/9/21/83	SP/Kestis/3.James
✓			E ₁	RESTORATION	5-23-85	K3/SS
✓	✓		F	REVISED PER CM-1728	9-6-88	PH TB
✓	✓		G	REVISED PER CM-3286	2-7-91	PKC RS
✓	✓		H	REV PER EC 0730-3607-91	1-7-94	RV RS
✓	✓		J	REV PER EC 0730-0156-94	8-24-94	RV RS



- ① LIMITED BY THE CONNECTOR HOUSING CAVITY.
- ② PLATED WITH .000030 GOLD, OVER .000050 NICKEL UNDERPLATE.

FINISH	MATERIAL	PART NO
SELECT GOLD	.012 PH. BRZ	640309-6
PRE-TIN	.012 PH. BRZ.	640309-3

UNLESS OTHERWISE SPECIFIED DIMENSIONS ARE IN INCHES. TOLERANCES ON: DECIMALS ± .015 ANGLES ±	CONTRACT NO	AMP AMP INCORPORATED Harrisburg, Pa.				
	DR			m. Fehrer 5-6-81		
	CHK	J.S. Heide 6/9/81	NAME	PIN, (LOOSE PIECE) UNIVERSAL MATE-N-LOK		
	APPD	D. Schickel 6-10-81	SIZE	B		
WIRE RANGE	12-10 AWG	CODE IDENT NO	00779	DRAWING NO	640309	
INSULATION RANGE	.200 DIA MAX ①	OTHER APPD	SCALE	4-1	SHEET	